

# Quick Dimensions

How to Quickly Create, Modify and Update Revit Dimensions

# Working with dimensions

## Quick Dimensions extension

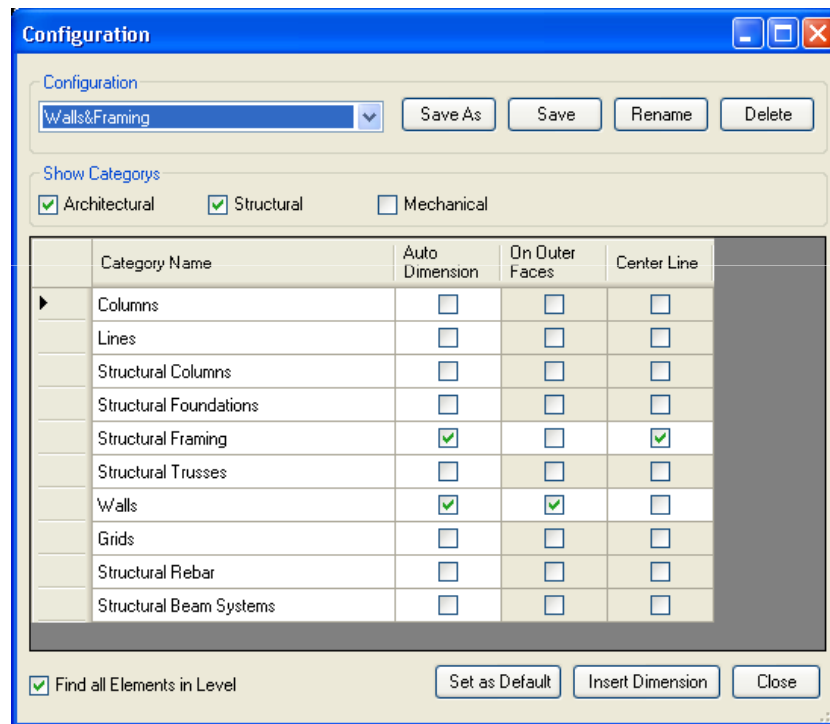
- ...allows to create dimensions quickly according specific user defined configuration;
- ...automatically adds dimensions to user selected architectural, structural or mechanical elements;
- ...has possibility to use the auto-dimensioning tool in elevations and sections;
- ...has possibility to create more than one dimension chain with one click;
- ...has possibility to join existing separate dimensions to the one dimension chain.



# Quick Dimensions

## Element Dimensioning Configuration

Before starting to work with the Quick Dimensions tool there should be configuration made.



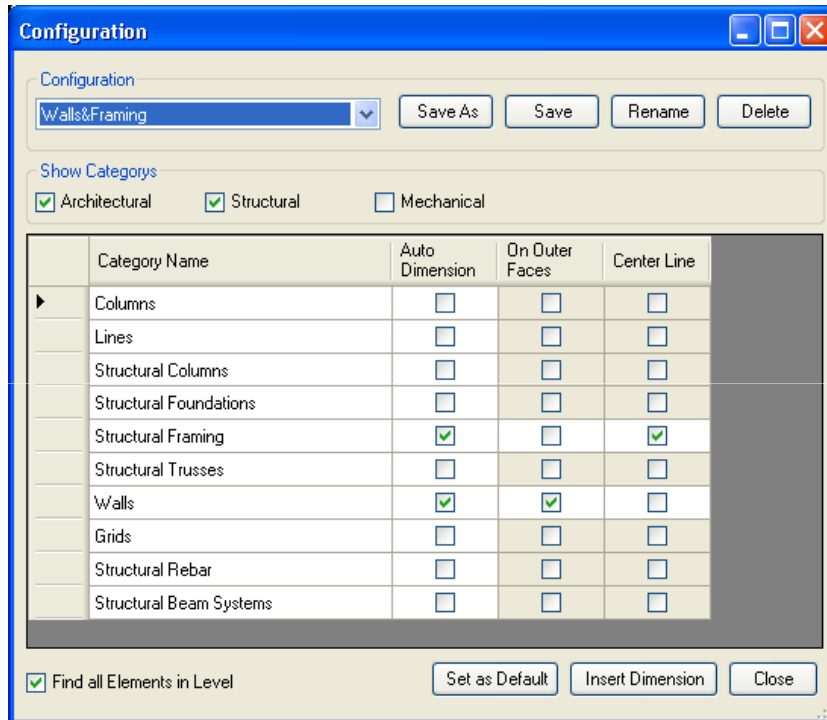
Configuration – user saved configurations. The configuration can be saved to current, saved with a new name, renamed or deleted.

Show Categories – select the categories what will be used in configuration.

Category Name – the list of categories that can be saved in configuration.

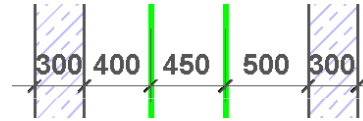
# Quick Dimensions

## Element Dimensioning Configuration

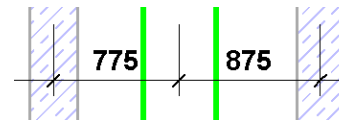


Auto Dimension – the switch indicates what categories will be included in configuration.

On Outer Faces – dimensions will be placed on the outer faces of elements.



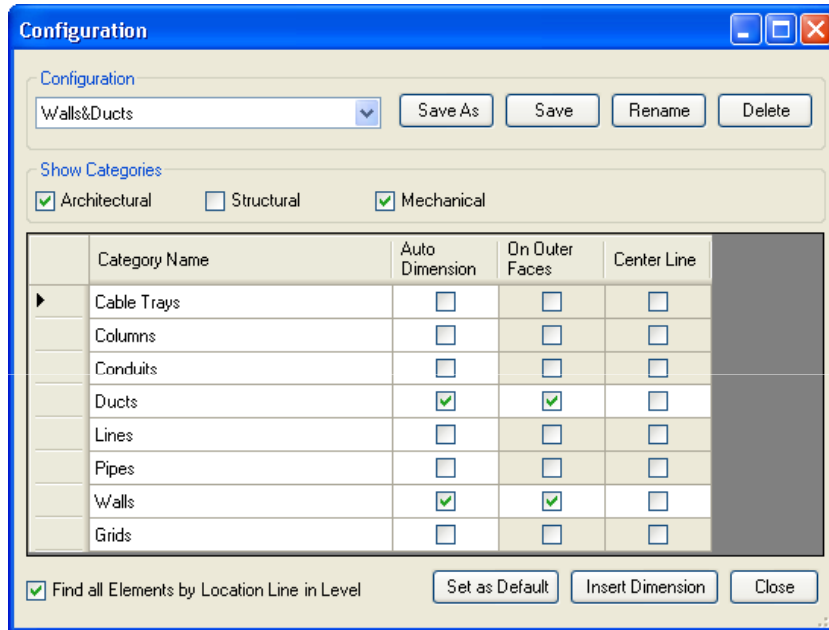
Center Line – dimensions will be placed on the center line of elements.



Insert Dimension – goes to Insert Dimension function.

# Quick Dimensions

## Element Dimensioning Configuration



Set as Default – sets the existing configuration as default when the Insert Dimension tool is selected.

Insert Dimension – goes to the dimension inserting function.

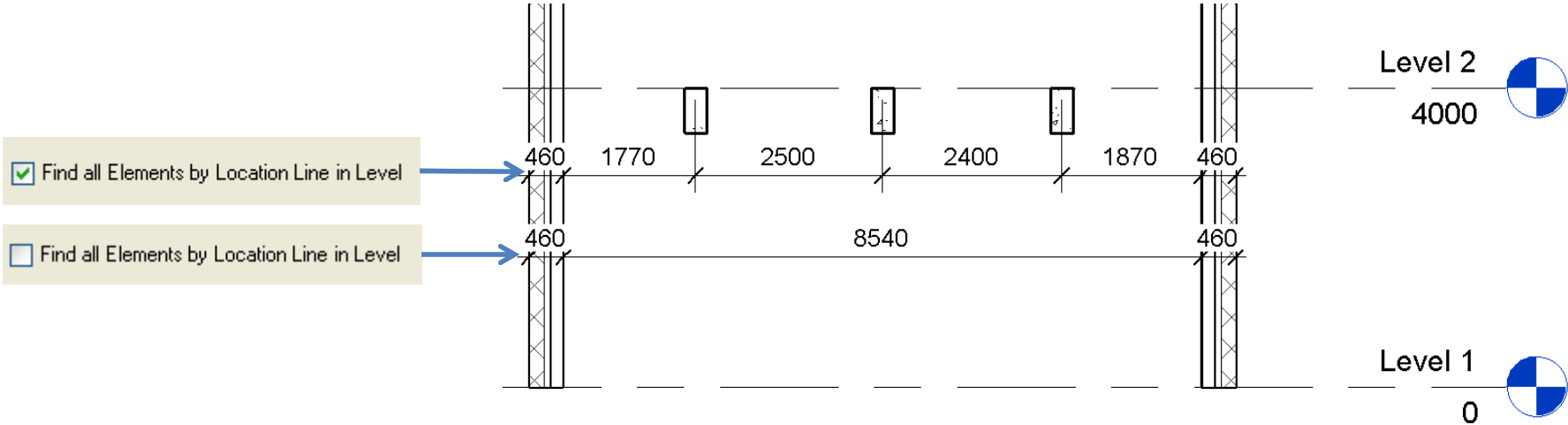
# Quick Dimensions

## Element Dimensioning Configuration

Category Name	Auto Dimension	On Outer Faces	Center Line
Columns	<input type="checkbox"/>	<input type="checkbox"/>	<input type="checkbox"/>
Lines	<input type="checkbox"/>	<input type="checkbox"/>	<input type="checkbox"/>
Structural Columns	<input type="checkbox"/>	<input type="checkbox"/>	<input type="checkbox"/>
Structural Foundations	<input type="checkbox"/>	<input type="checkbox"/>	<input type="checkbox"/>
Structural Framing	<input checked="" type="checkbox"/>	<input type="checkbox"/>	<input checked="" type="checkbox"/>
Structural Trusses	<input type="checkbox"/>	<input type="checkbox"/>	<input type="checkbox"/>
Walls	<input checked="" type="checkbox"/>	<input checked="" type="checkbox"/>	<input type="checkbox"/>
Grids	<input type="checkbox"/>	<input type="checkbox"/>	<input type="checkbox"/>
Structural Floor	<input type="checkbox"/>	<input type="checkbox"/>	<input type="checkbox"/>
Structural Beam Systems	<input type="checkbox"/>	<input type="checkbox"/>	<input type="checkbox"/>

Find all Elements by Location Line in Level  
   
   

Find all Elements in Level – if a check box is selected then all elements that are created in level will be included in dimensioning. If the check box is disabled then the elements will be included that are located on the user defined line.



# Quick Dimensions

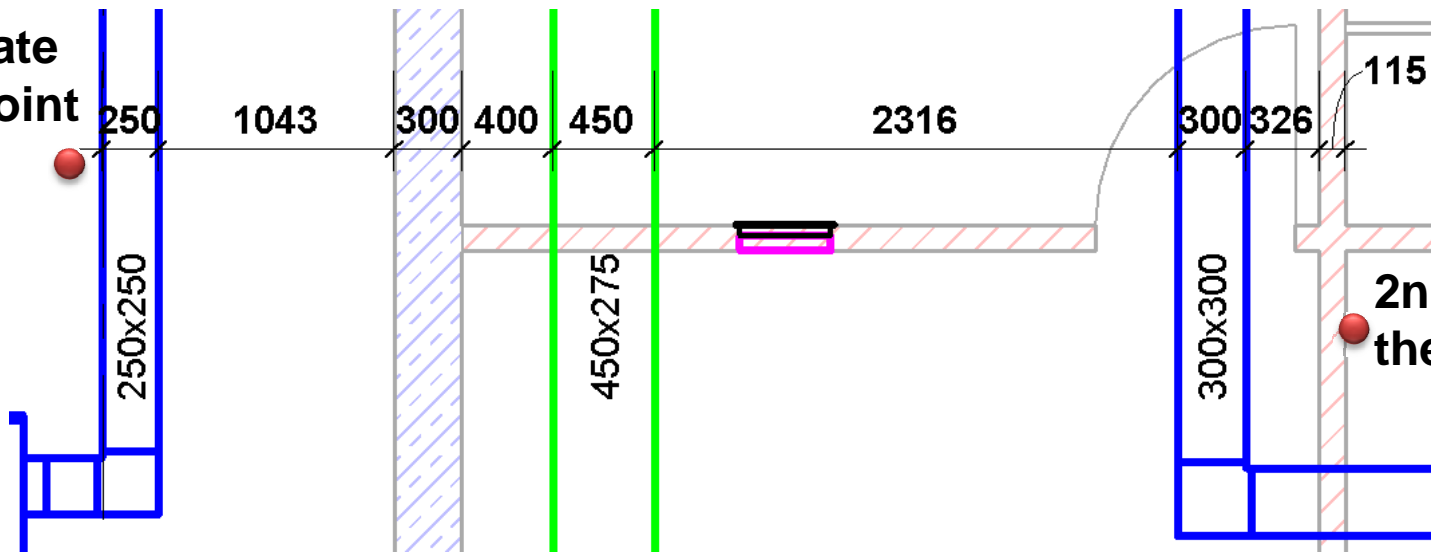
## Insert Dimensions

Insert Dimensions – inserts dimensions according defined configuration in Element Dimensioning Configuration. This function can be selected from the configuration dialog as well.

First should be selected the dimension location point. This point also shows the beginning of the dimension chain. Then the last element in the chain should be selected.

**1st –**

**indicate  
the point**

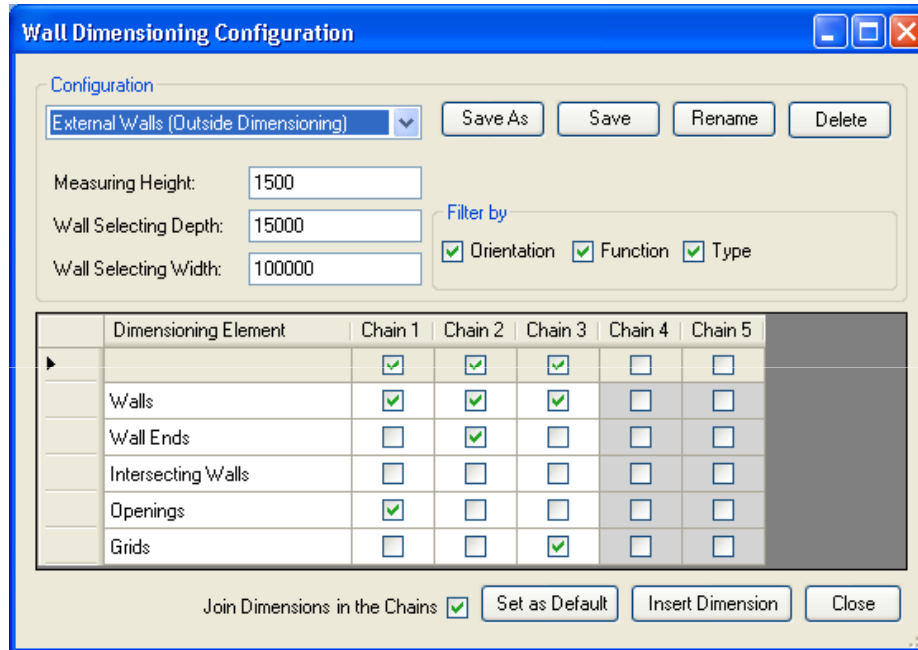


**2nd – select  
the element**



# Quick Dimensions

## Wall Dimensioning Configuration



Before starting to work with the dimensioning by walls tool there should be configuration made.

Configuration – user's saved configurations. The configuration can be saved to current, saved with a new name, renamed or deleted.

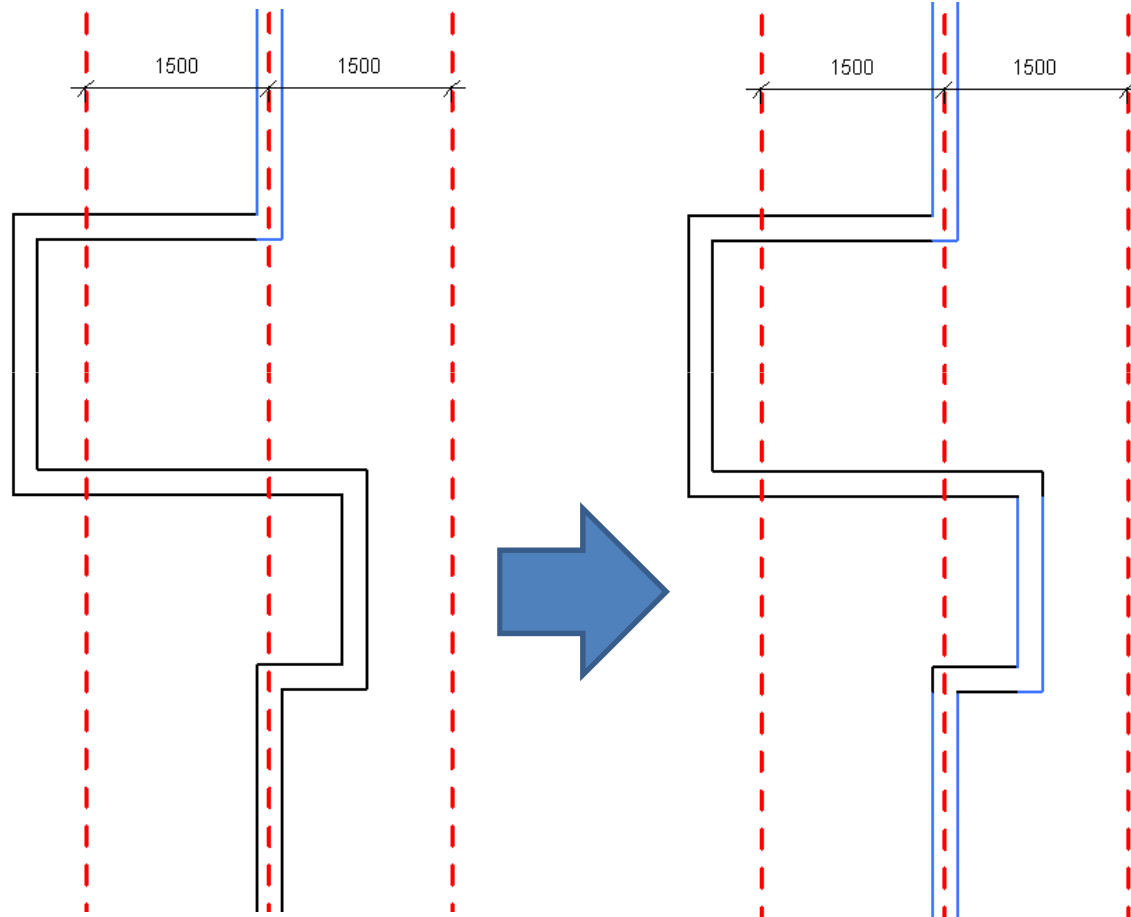
Measuring Height – the height from level. Elements that are located in this height will be included in a dimension line.

# Quick Dimensions

## Wall Dimensioning Configuration

Measuring Height:	<input type="text" value="1500"/>
Wall Selecting Depth:	<input type="text" value="1500"/>
Wall Selecting Width:	<input type="text" value="100000"/>

Wall Selecting Depth – the distance along the selected wall where other walls will be selected.

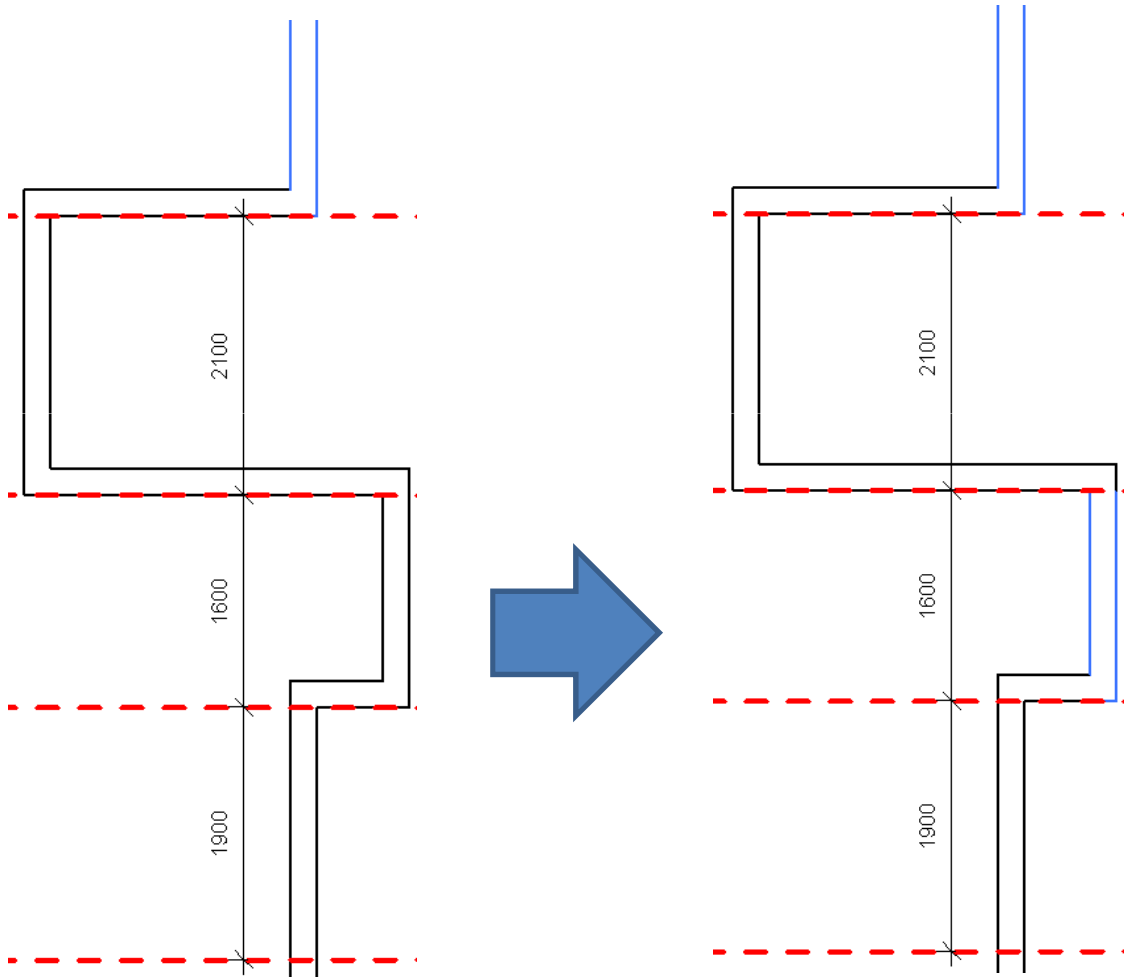


# Quick Dimensions

## Wall Dimensioning Configuration

Measuring Height:	<input type="text" value="1500"/>
Wall Selecting Depth:	<input type="text" value="15000"/>
Wall Selecting Width:	<input type="text" value="2100"/>

Wall Selecting Width – the distance from selected wall ends where other walls will be selected.



# Quick Dimensions

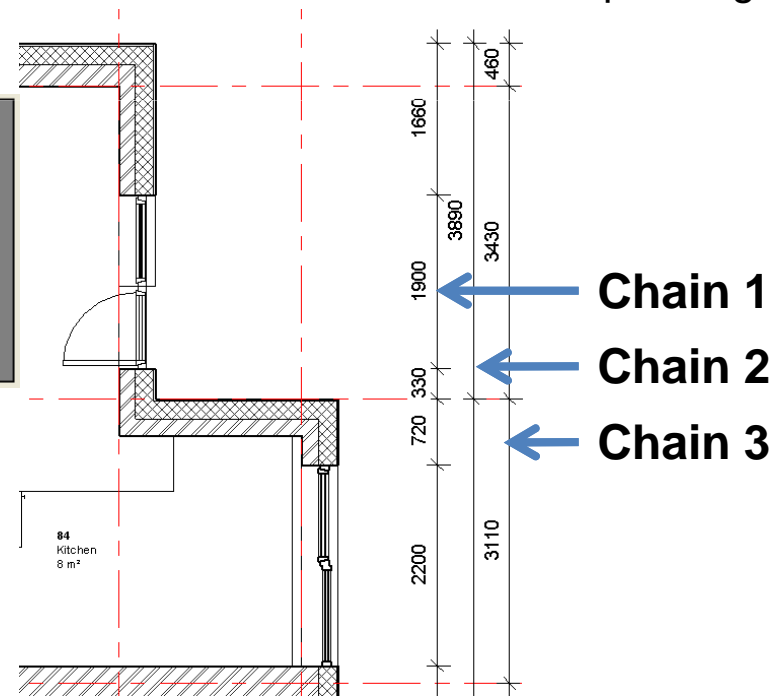
## Wall Dimensioning Configuration

Dimensioning Element - elements what will be included in dimensioning.

In the first row are indicated how many chains will be included in dimensioning.

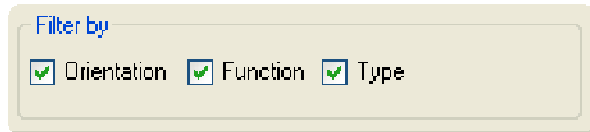
Chain 1,2,3,4,5 – indicates what elements will be included in a corresponding dimensioning chain.

Dimensioning Element	Chain 1	Chain 2	Chain 3	Chain 4	Chain 5
	<input checked="" type="checkbox"/>	<input checked="" type="checkbox"/>	<input checked="" type="checkbox"/>	<input type="checkbox"/>	<input type="checkbox"/>
Walls	<input checked="" type="checkbox"/>	<input checked="" type="checkbox"/>	<input checked="" type="checkbox"/>	<input type="checkbox"/>	<input type="checkbox"/>
Wall Ends	<input type="checkbox"/>	<input checked="" type="checkbox"/>	<input type="checkbox"/>	<input type="checkbox"/>	<input type="checkbox"/>
Intersecting Walls	<input type="checkbox"/>	<input type="checkbox"/>	<input type="checkbox"/>	<input type="checkbox"/>	<input type="checkbox"/>
Openings	<input checked="" type="checkbox"/>	<input type="checkbox"/>	<input type="checkbox"/>	<input type="checkbox"/>	<input type="checkbox"/>
Grids	<input type="checkbox"/>	<input type="checkbox"/>	<input checked="" type="checkbox"/>	<input type="checkbox"/>	<input type="checkbox"/>



# Quick Dimensions

## Wall Dimensioning Configuration – Filter by



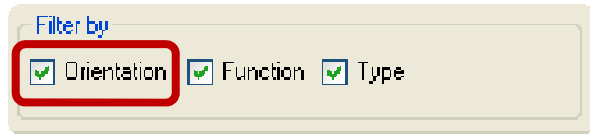
For elements selection the filter can be adjusted.

Elements can be filtered by:

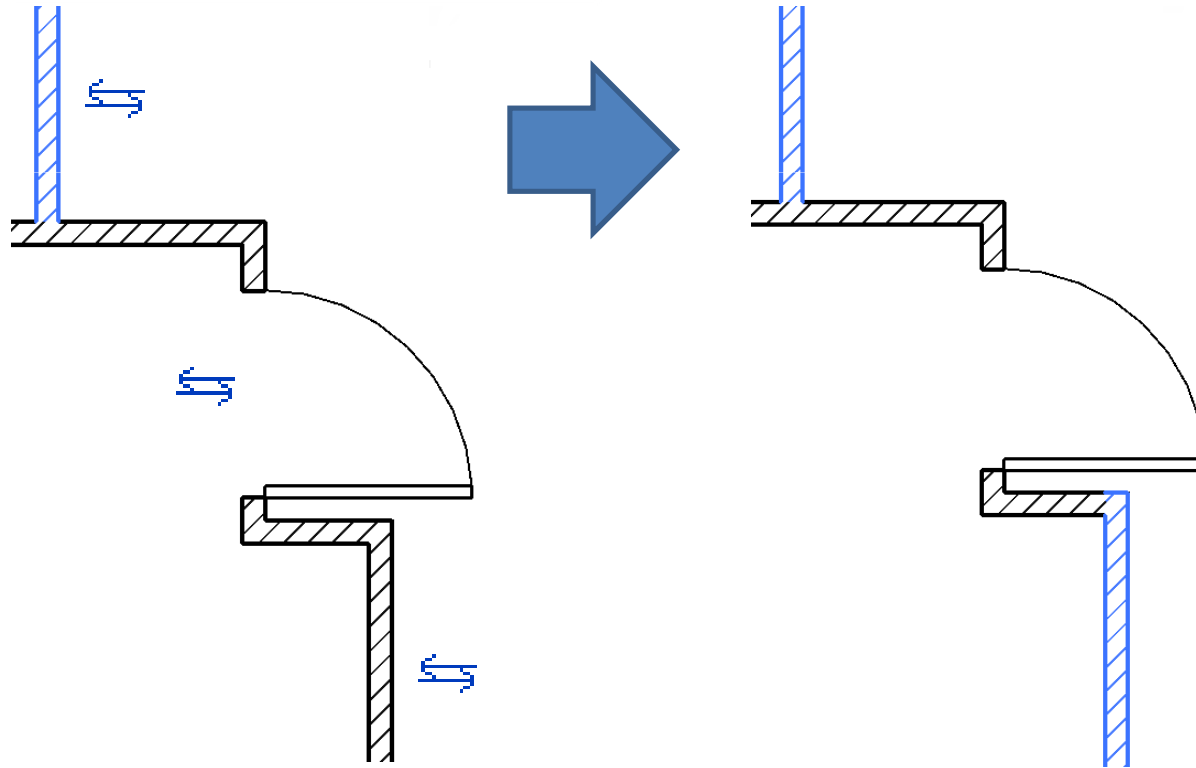
- Orientation;
- Function;
- Type.

# Quick Dimensions

## Wall Dimensioning Configuration – Filter by

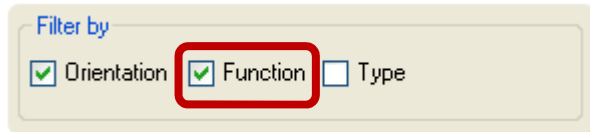


Orientation – selects the walls according to selected wall orientation.

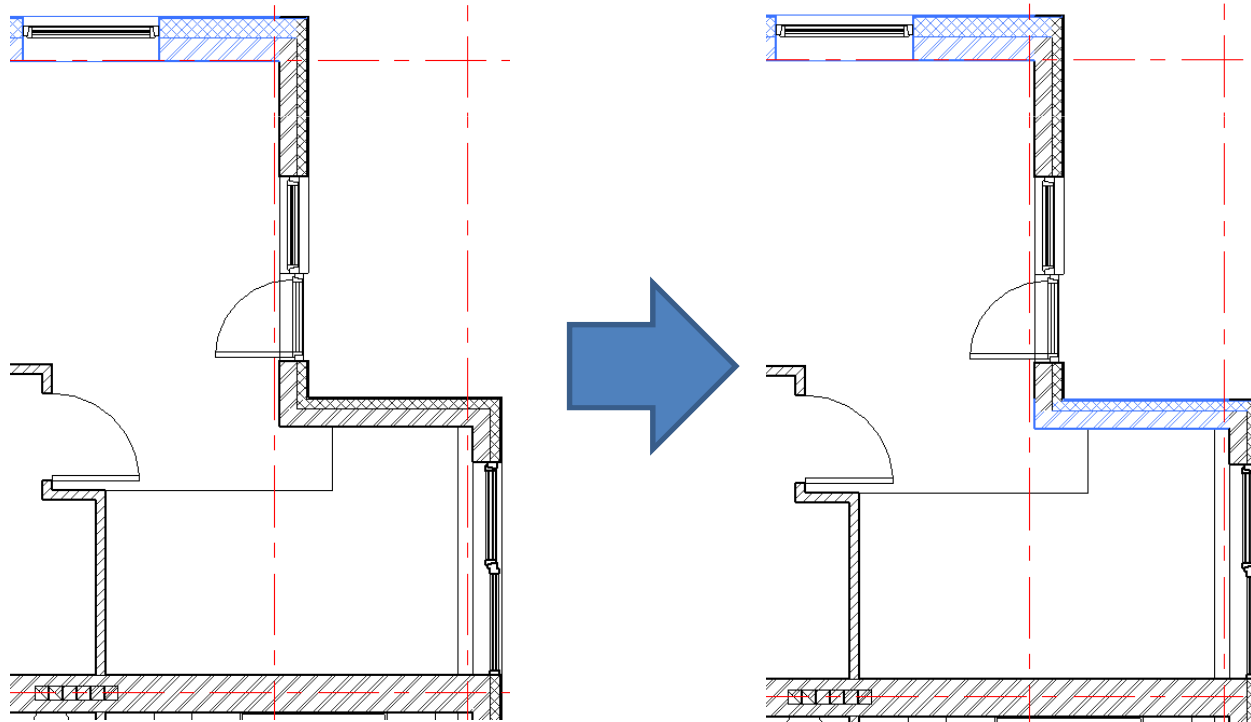
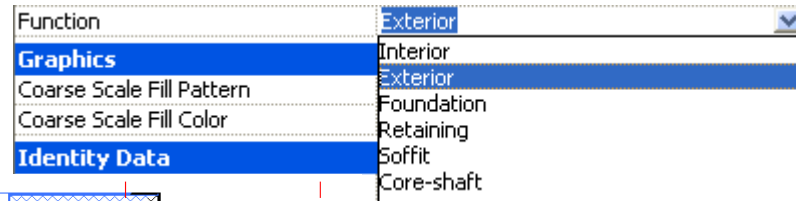


# Quick Dimensions

## Wall Dimensioning Configuration – Filter by



Function – selects the walls according to selected wall function.

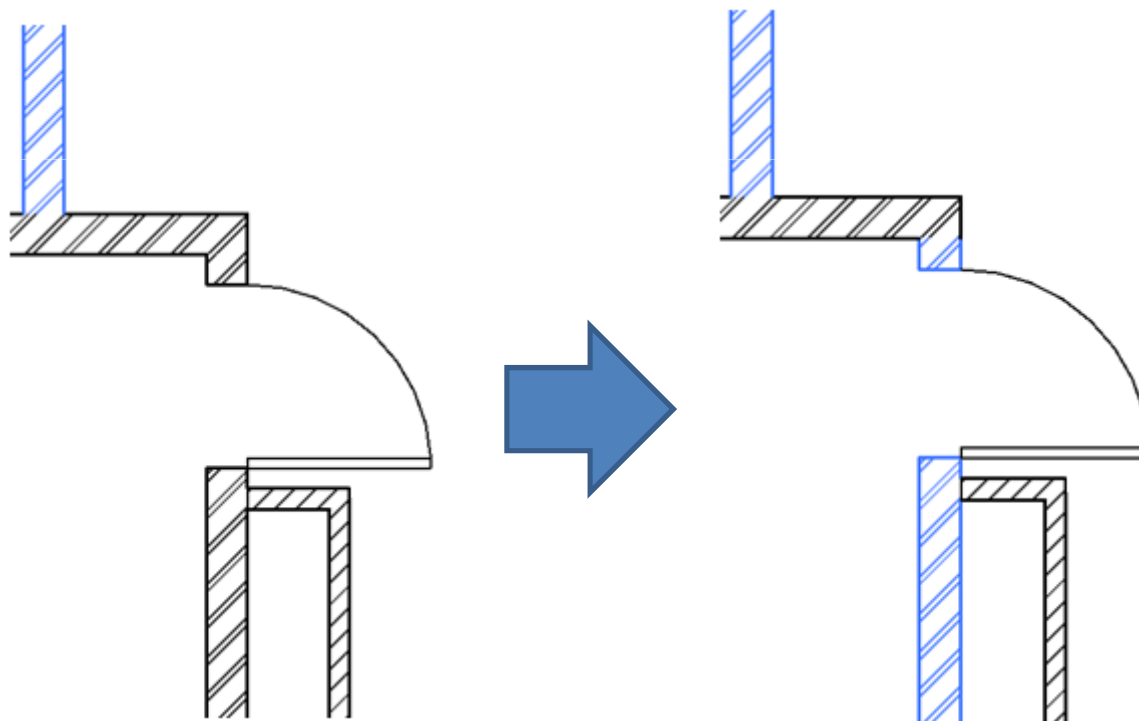


# Quick Dimensions

## Wall Dimensioning Configuration – Filter by



Type – selects the walls according to selected wall type.

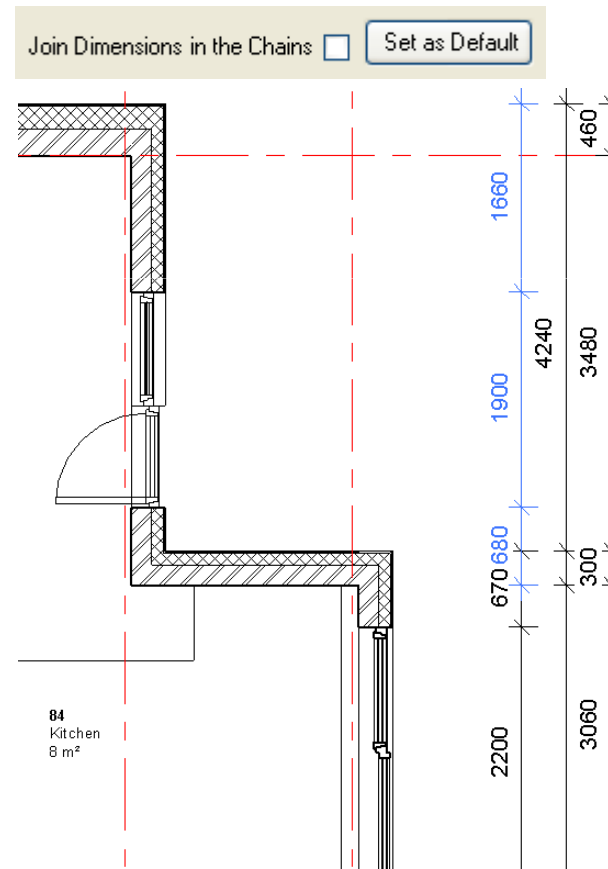
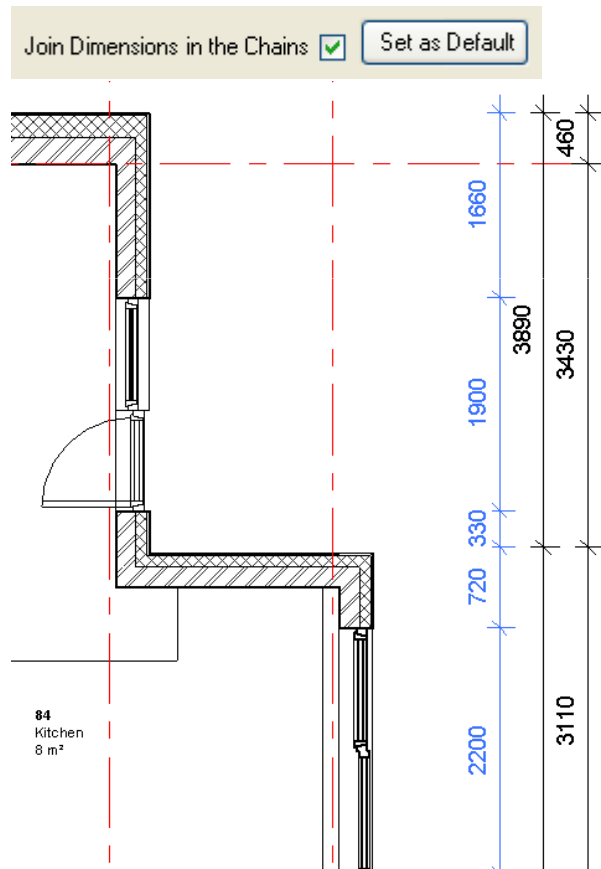




# Quick Dimensions

## Wall Dimensioning Configuration

Join Dimensions in the Chains – function joins the dimension lines to one chain:

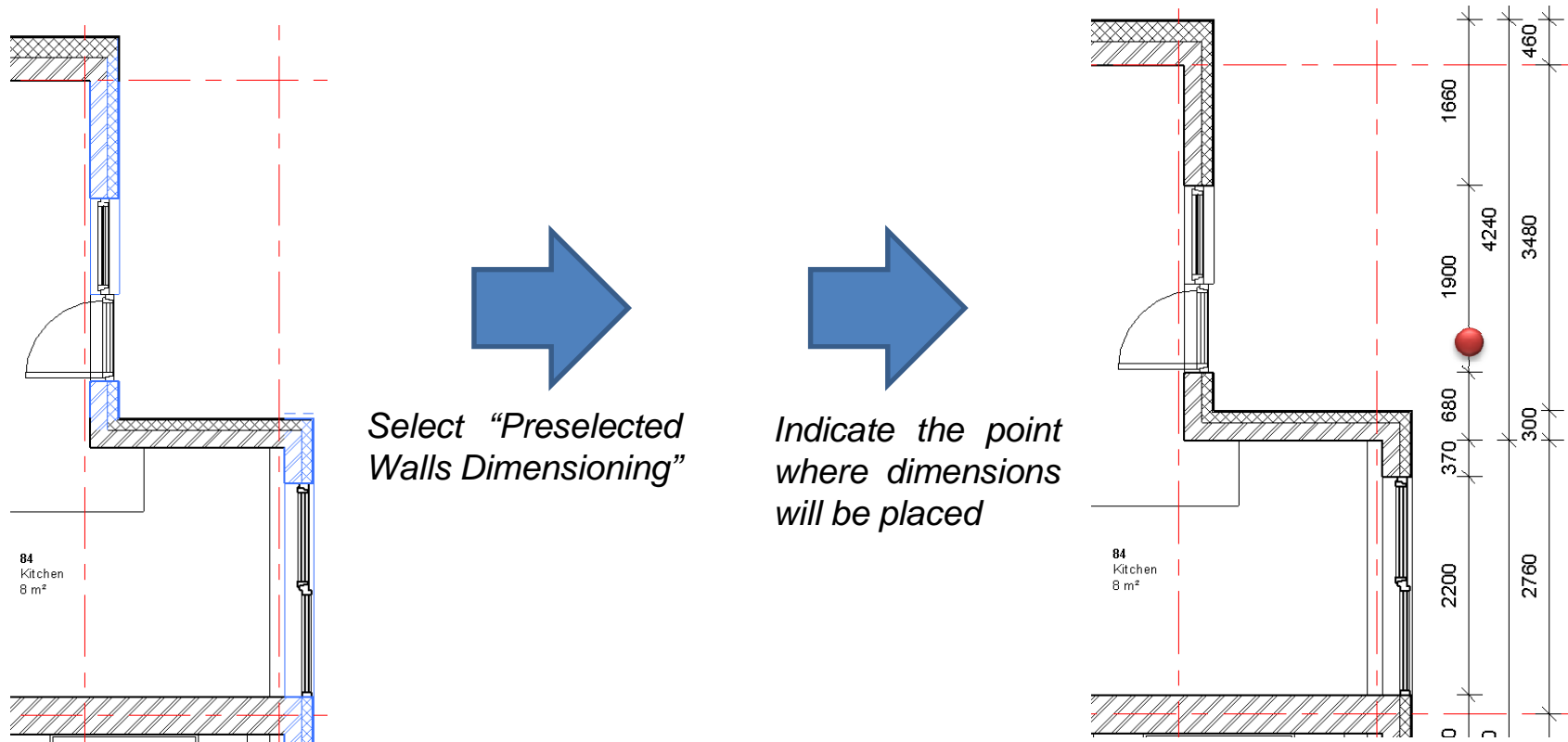


*To save the option as default press "Set as Default".*

# Quick Dimensions

## Preselected Walls Dimensioning

“Reselected Walls Dimensioning” function creates dimensions by predefined configuration at “Walls Dimensioning Configuration”.

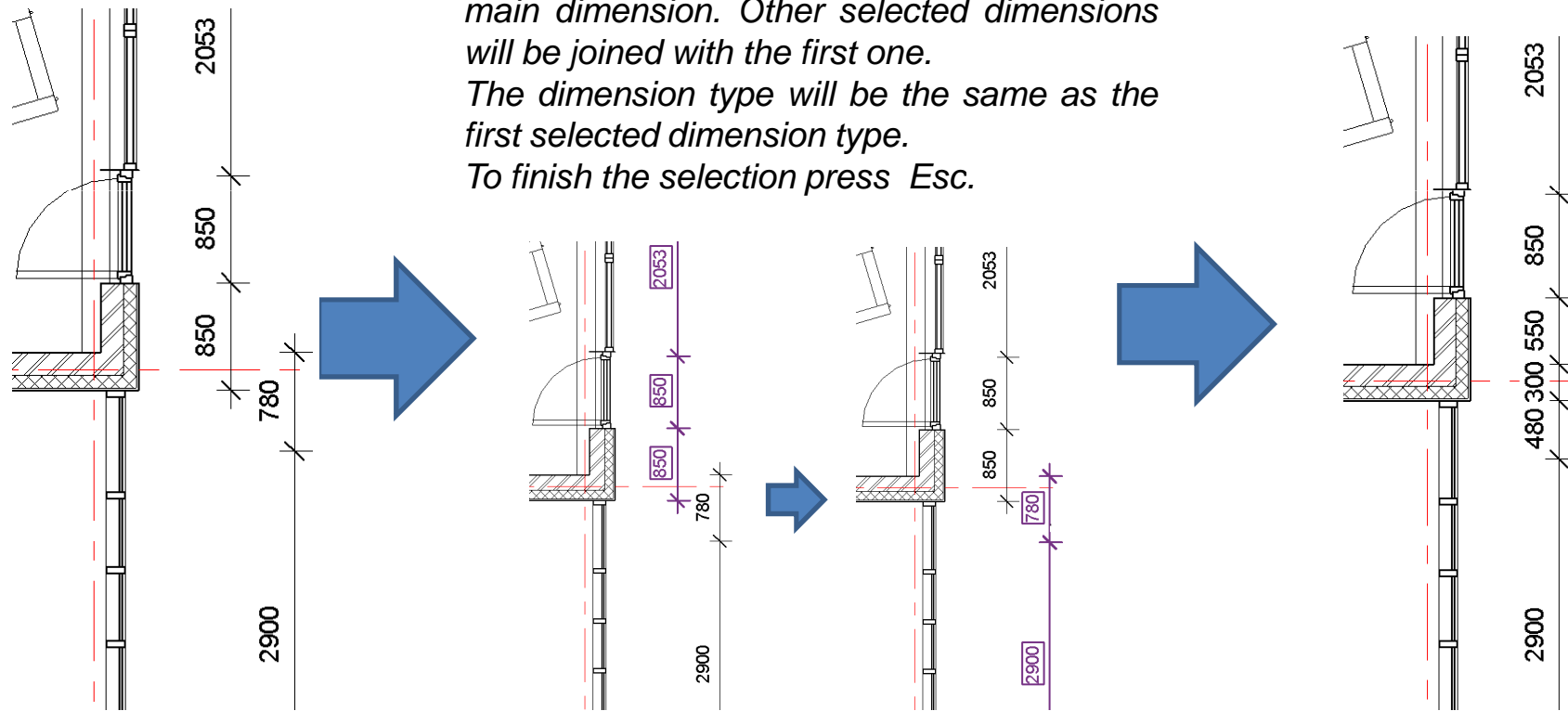


# Quick Dimensions

## Join Dimensions

Function joins selected dimensions to the one dimension chain.

*The first selected dimension indicates the main dimension. Other selected dimensions will be joined with the first one. The dimension type will be the same as the first selected dimension type. To finish the selection press Esc.*



# Quick Dimensions

## Result

- Extension allows to create dimensions quickly according specific user defined configuration;
- Makes dimensions related to architectural, structural and mechanical elements;
- Create more than one dimension chain with one click;
- Dimensioning functions works on elevations and sections;
- Joins existing separate dimensions to the one dimension chain.

# Increase your productivity !