

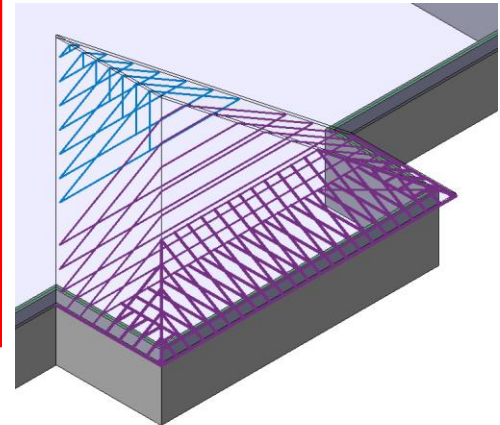
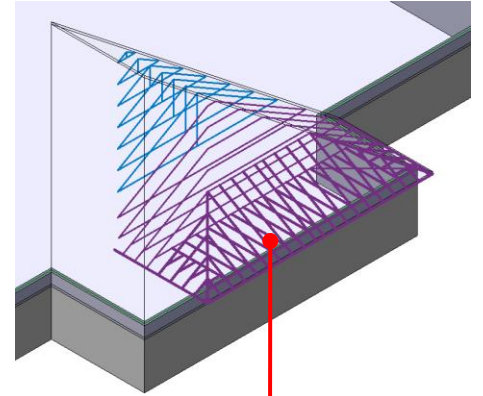
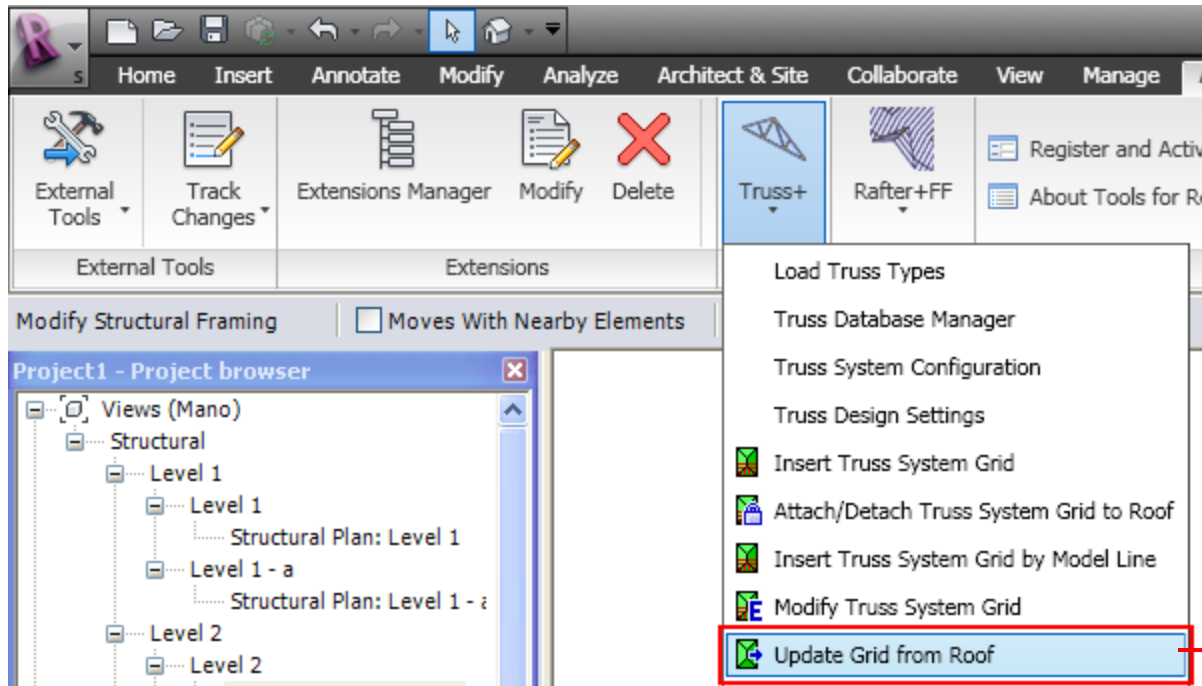


Truss+ 2010

Update Grid from Roof

Update Grid from Roof

- Select a grid.
- Choose *Update Grid from Roof* directly from “Truss+” menu.
- The grid will be automatically updated according to roof geometry.

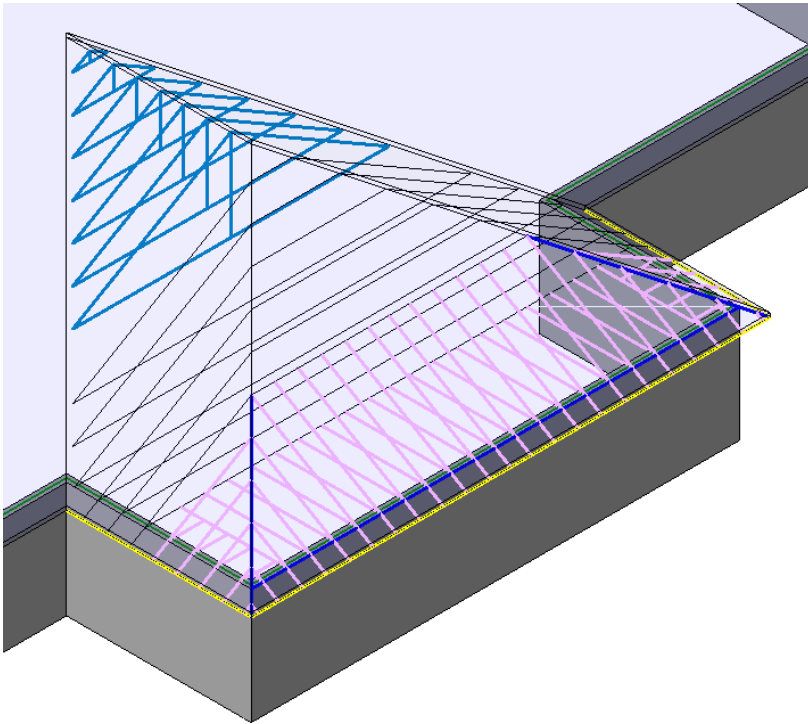


Update Grid from Roof

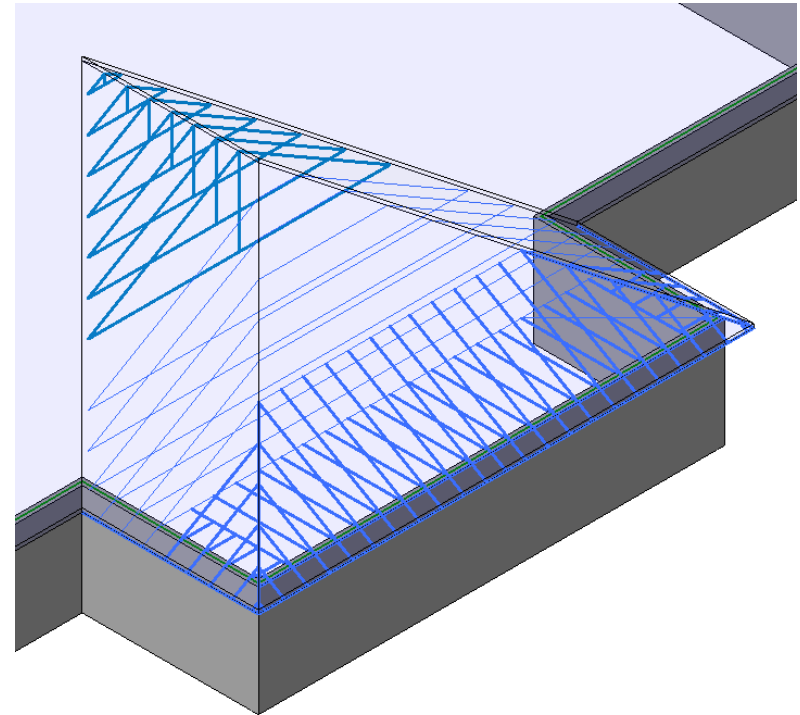
- If an error message 'Select Grid to modify' occurs, it means that the user hasn't selected grid before trying to update it.



Not selected grid



Selected grid



Increase your productivity !



AGA CAD Ltd.
Zalgirio 112A, LT-09300 Vilnius,
Lithuania
Tel. +370 5 2398111
Fax +370 5 2398113
Email info@aga-cad.lt
info@tools4revit.com
www.tools4revit.com