



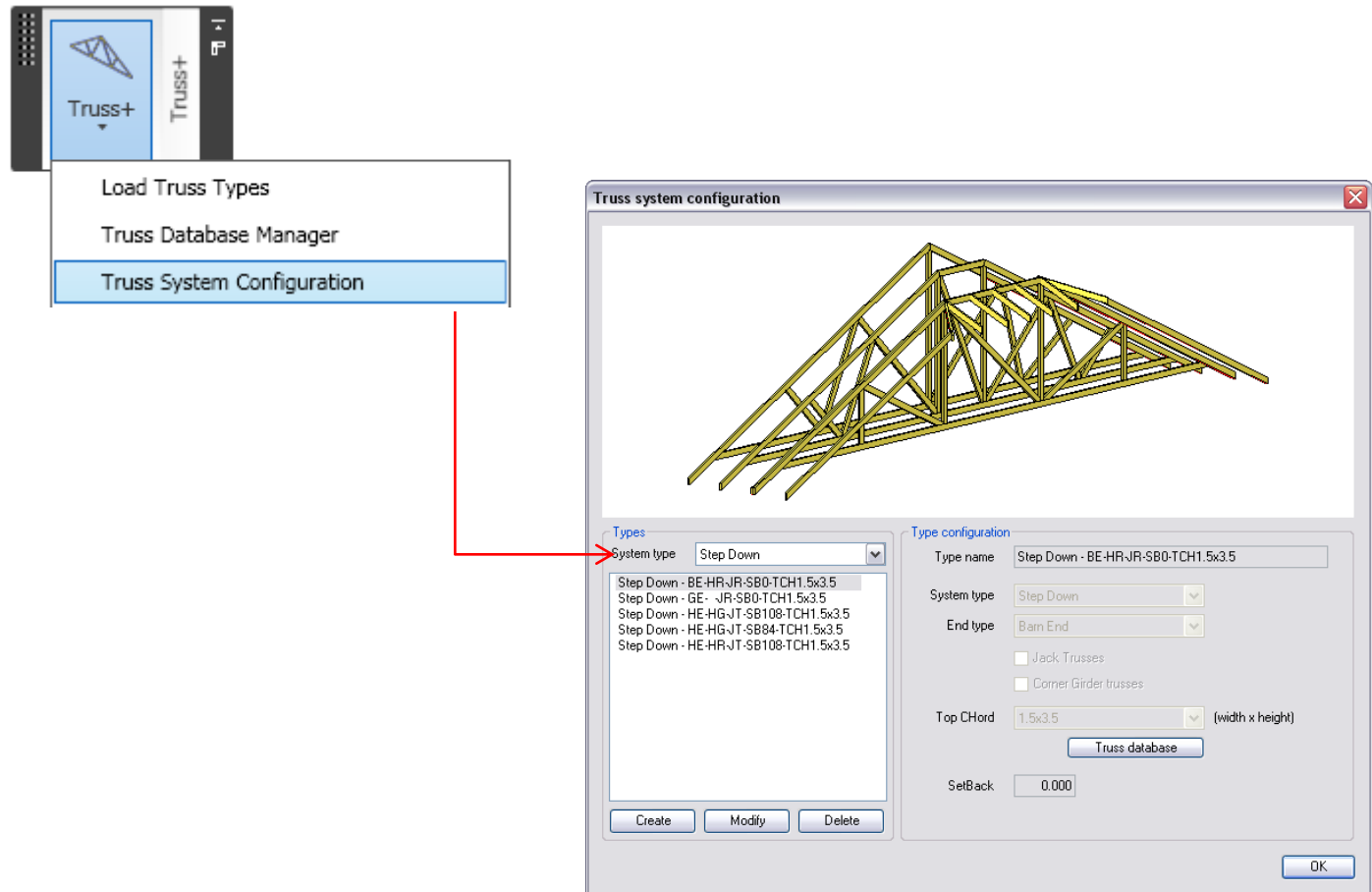
Truss+ 2010

Truss System Configuration



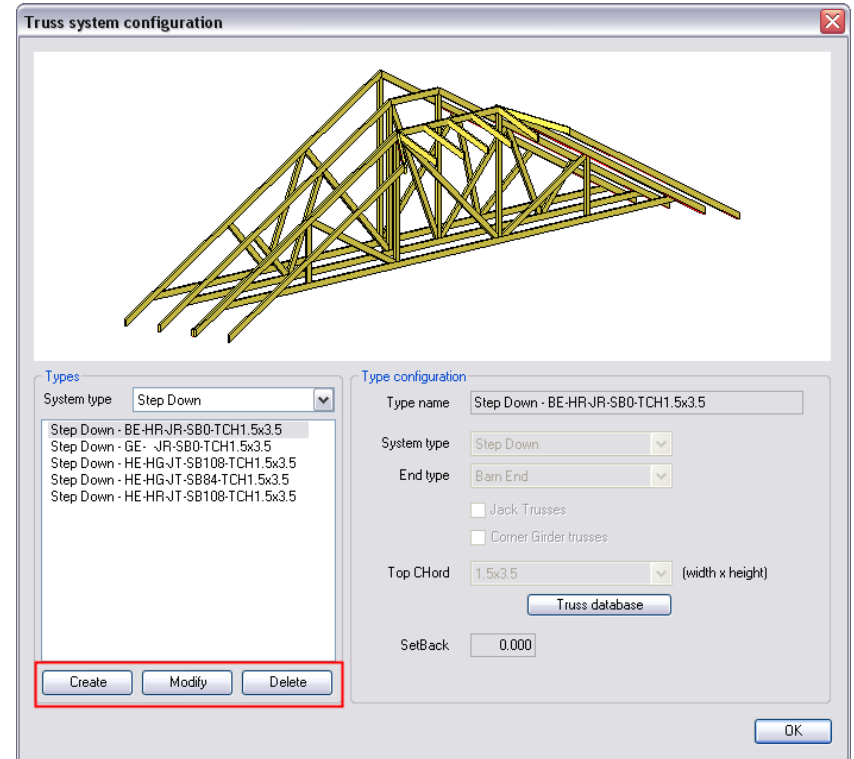
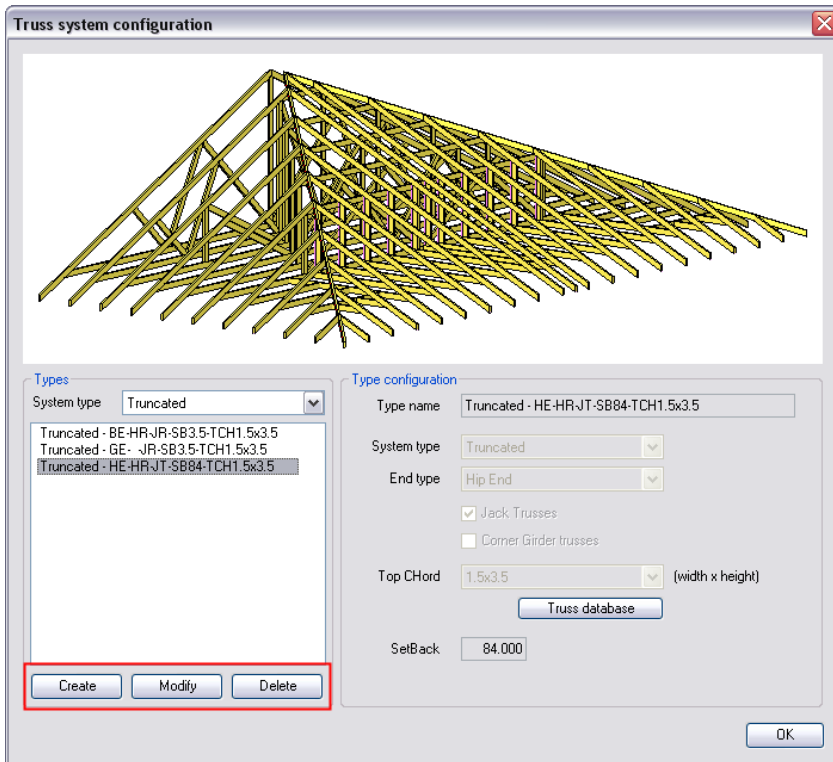
Starting Truss System Configuration

- Choose *Truss System Configuration* directly from “Truss+” menu.



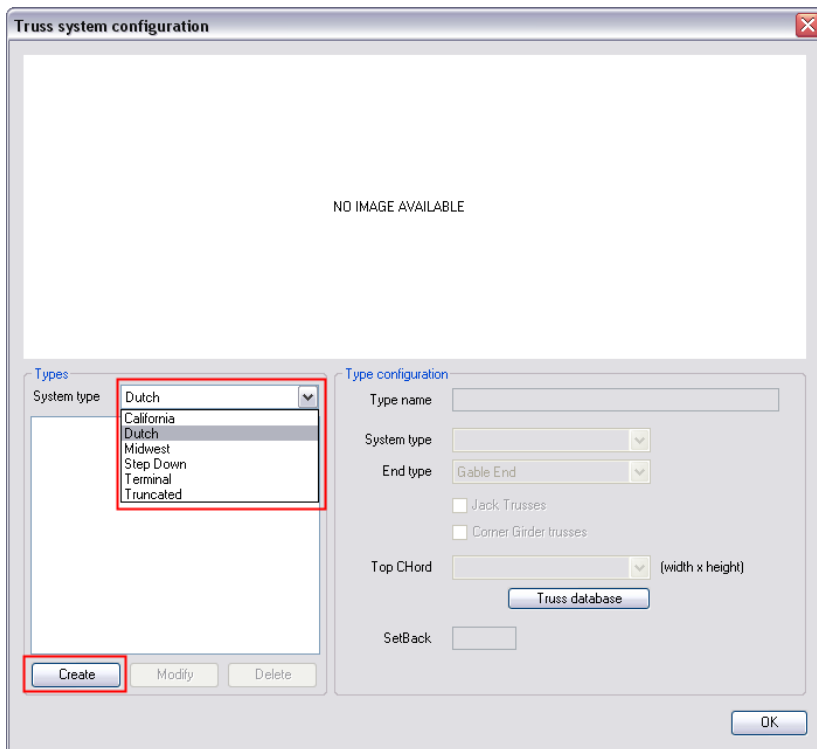
Configuration

- The configuration of 3D truss system grids allows:
 - Create new types
 - Modify existing
 - Delete

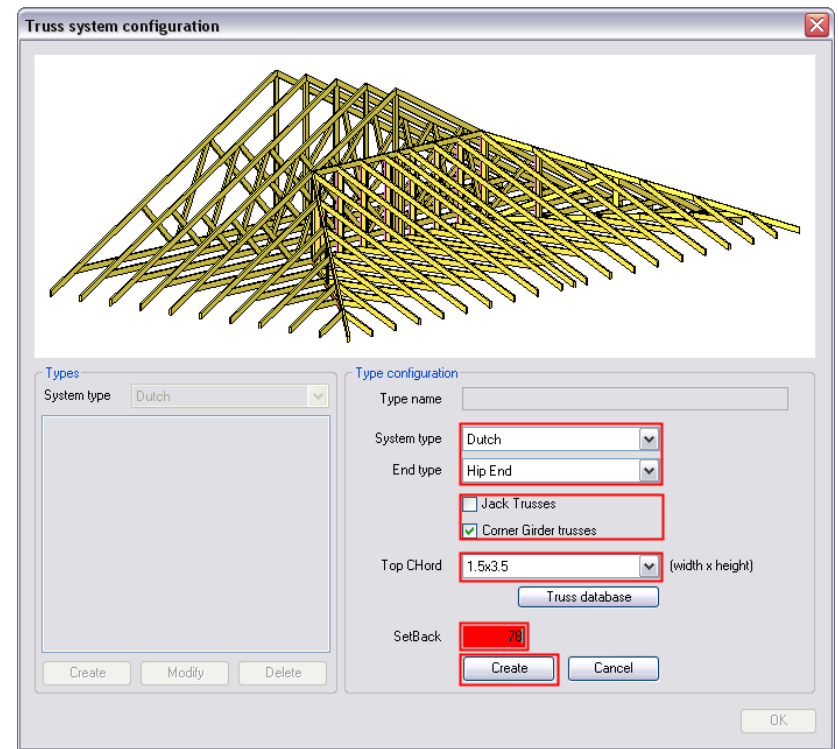


Creating New Types

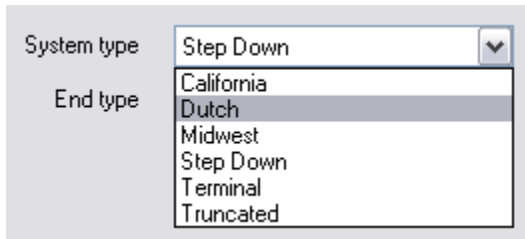
- Choose a system type and click the *Create* button.



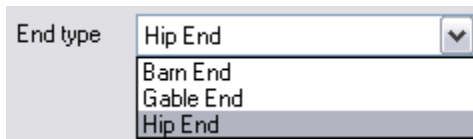
- Fill all parameters and click the *Create* button (a more detailed description is shown in successive slides).



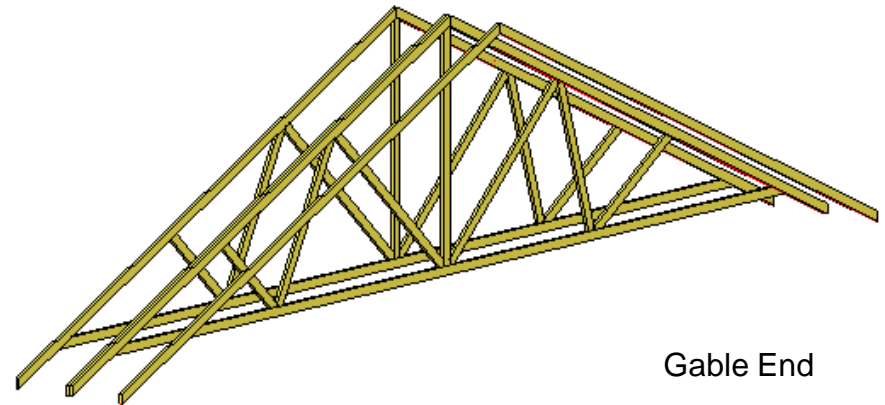
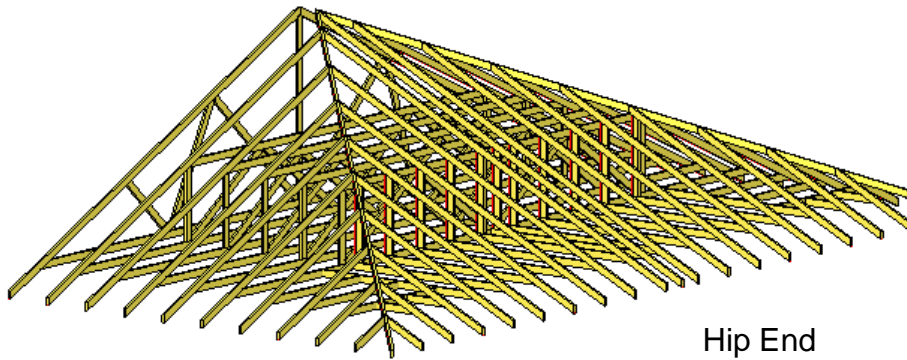
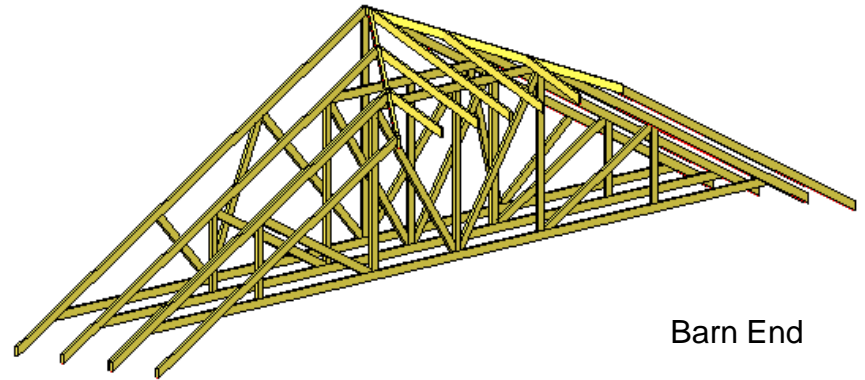
Creating New Types



- Choose a system type



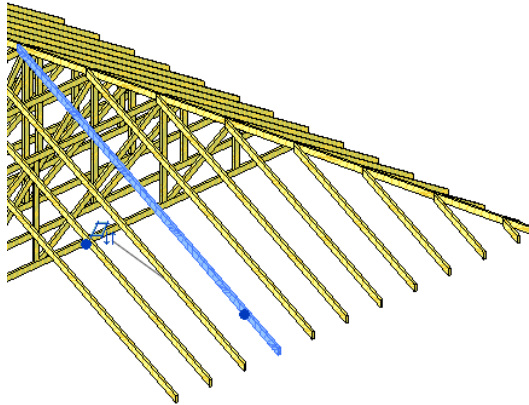
- Choose an end type



Creating New Types

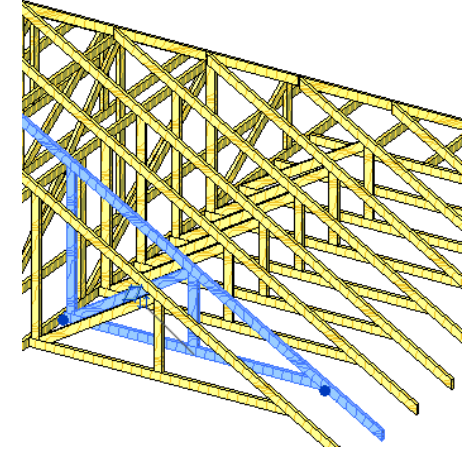
Jack Trusses

- Jack rafters



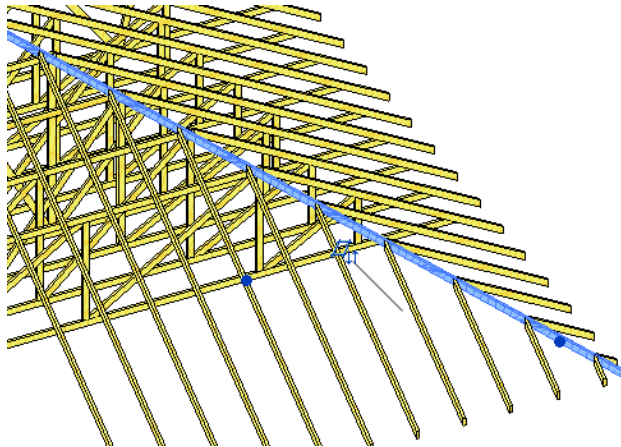
Jack Trusses

- Jack trusses



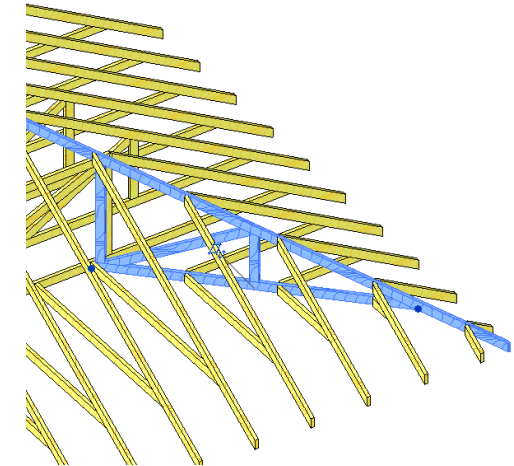
Corner Girder trusses

- Hip valley



Corner Girder trusses

- Corner girder trusses



Creating New Types

Top CHord 1.5x3.5 (width x height)
1.5x3.5
2x3.5

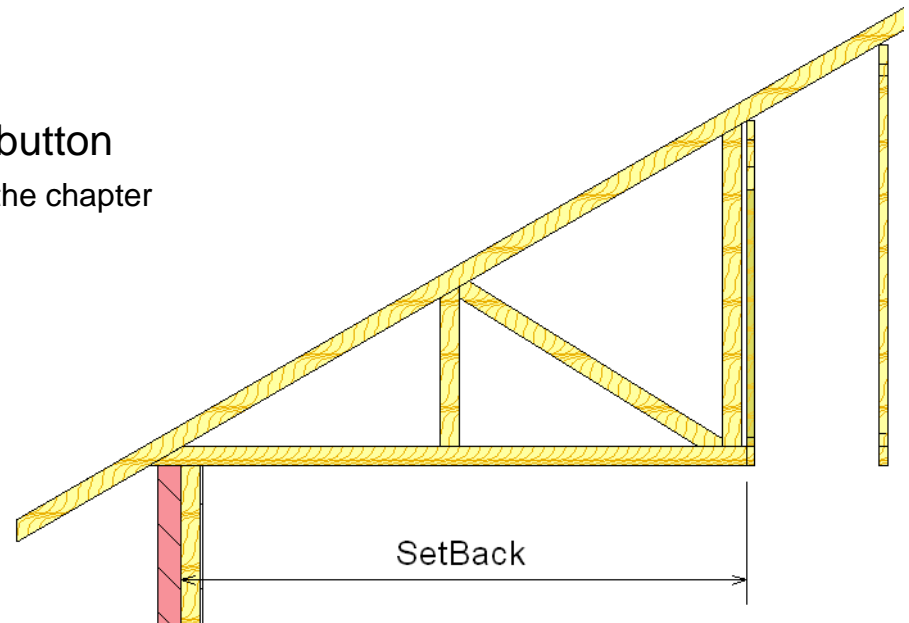
- Choose a top chord type

Top CHord 1.5x3.5 (width x height)
Truss database

- If you want to create a new type click the button *Truss database* (for a more detailed description see the chapter “Truss Database Manager”)

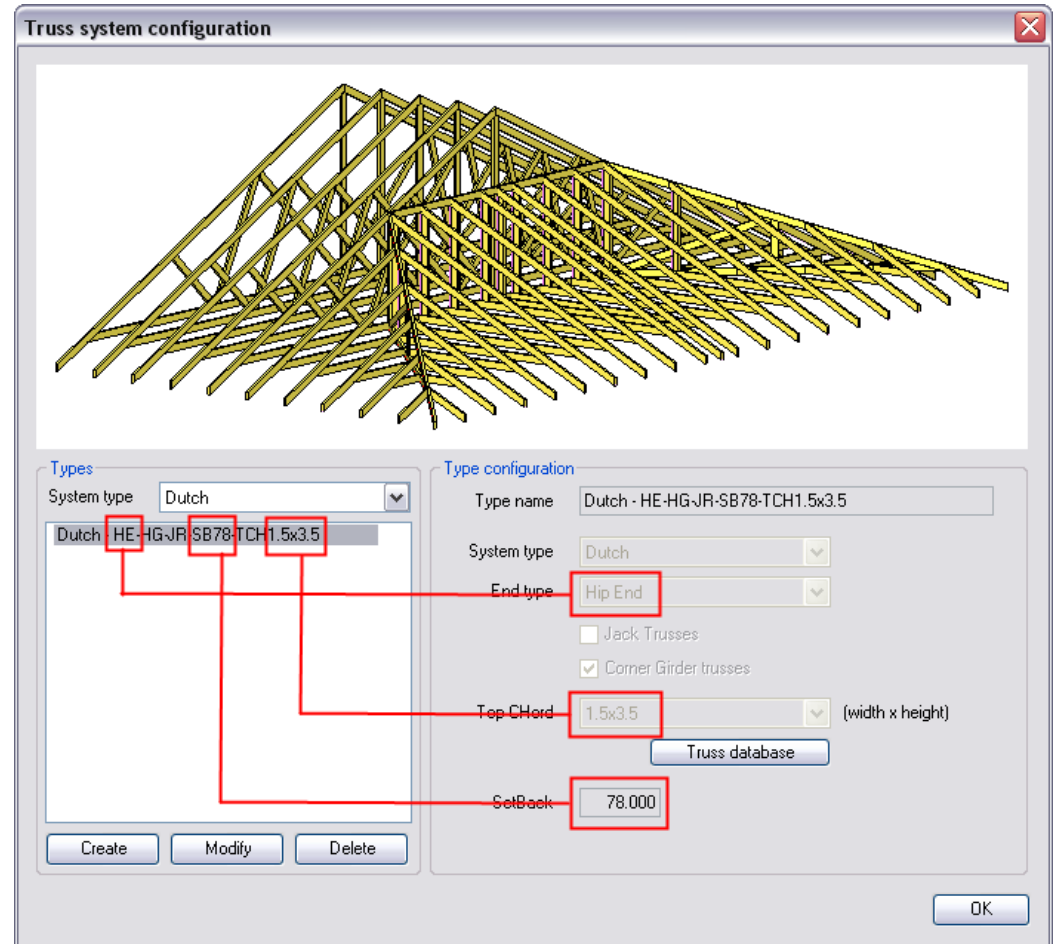
SetBack 78

- Enter a setback value



Creating New Types

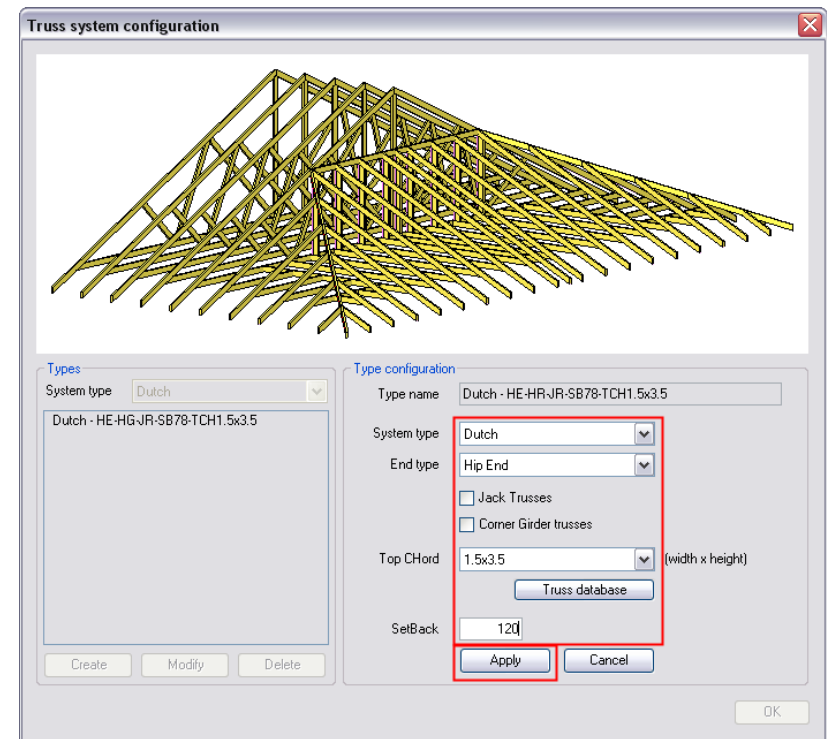
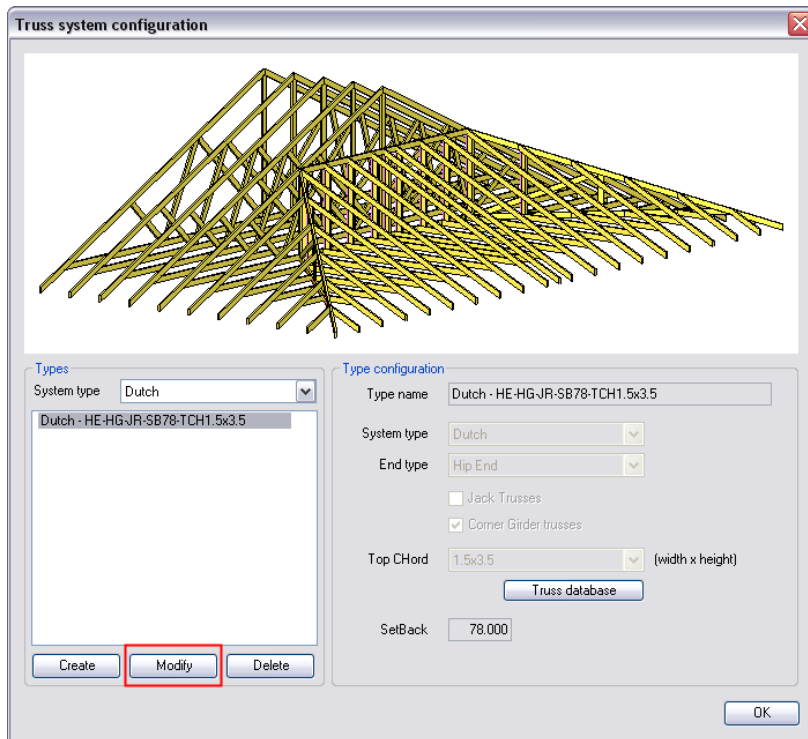
- *Type name* will represent all parameters that you have set for your new truss type.



Modifying Existing Types

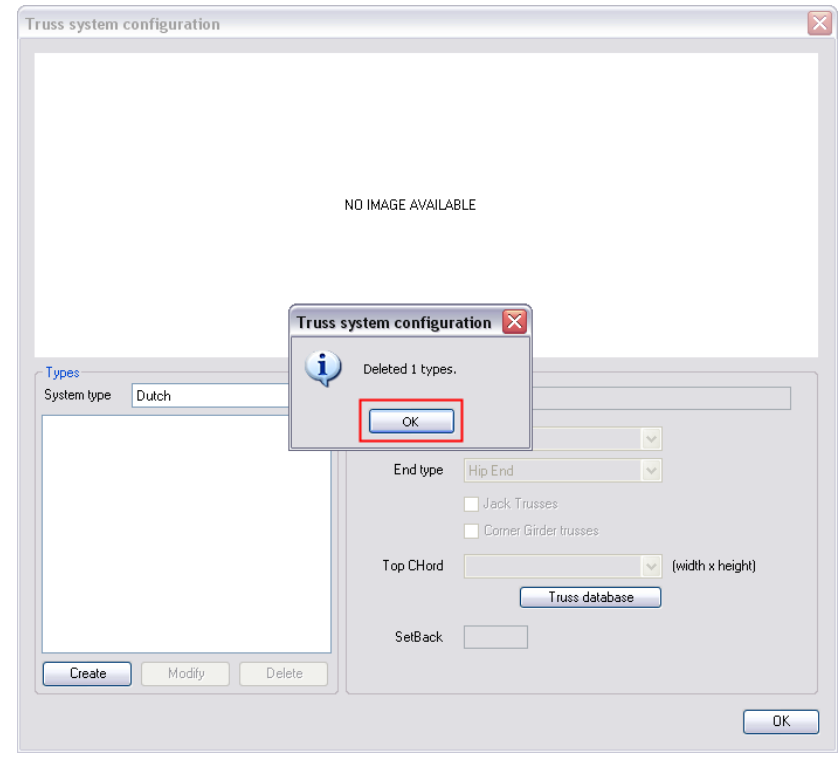
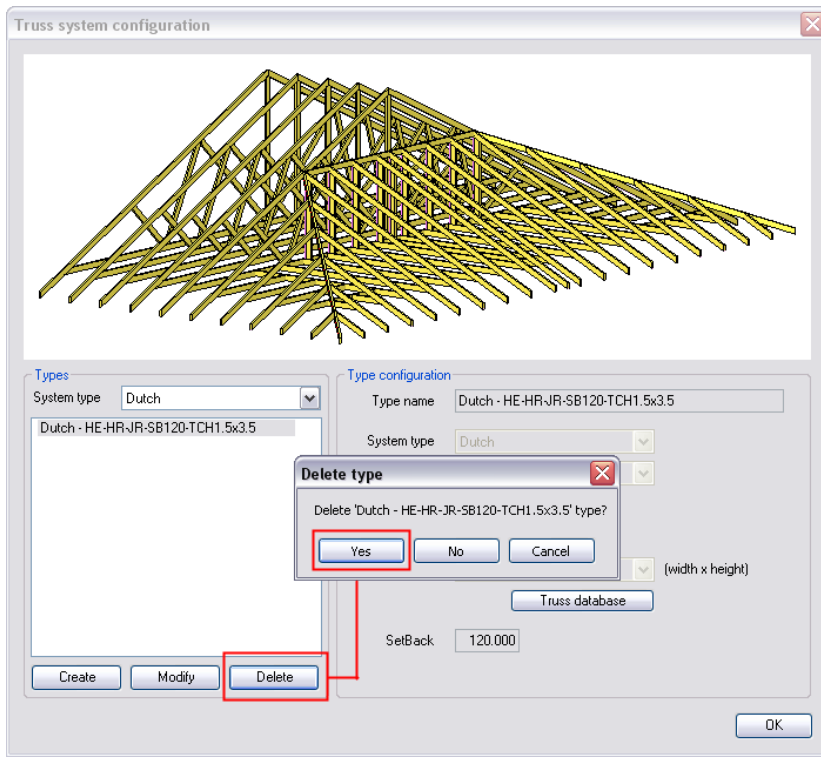
- Choose the system type you want to modify and click the *Modify* button.

- Change parameters and click the *Apply* button.



Deleting Types

- To delete the truss system type that doesn't meet your regional defaults, click the button *Delete type*.



Increase your productivity !



AGA CAD Ltd.
Zalgirio 112A, LT-09300 Vilnius,
Lithuania
Tel. +370 5 2398111
Fax +370 5 2398113
Email info@aga-cad.lt
info@tools4revit.com
www.tools4revit.com