

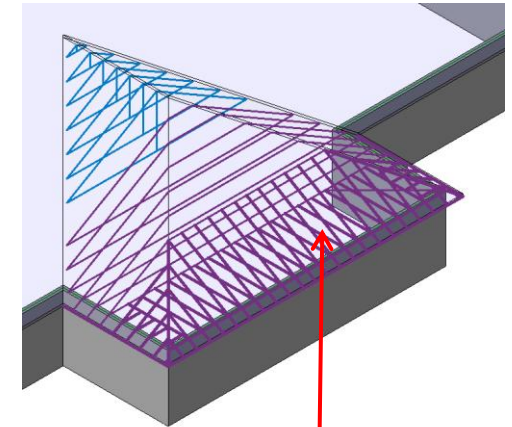
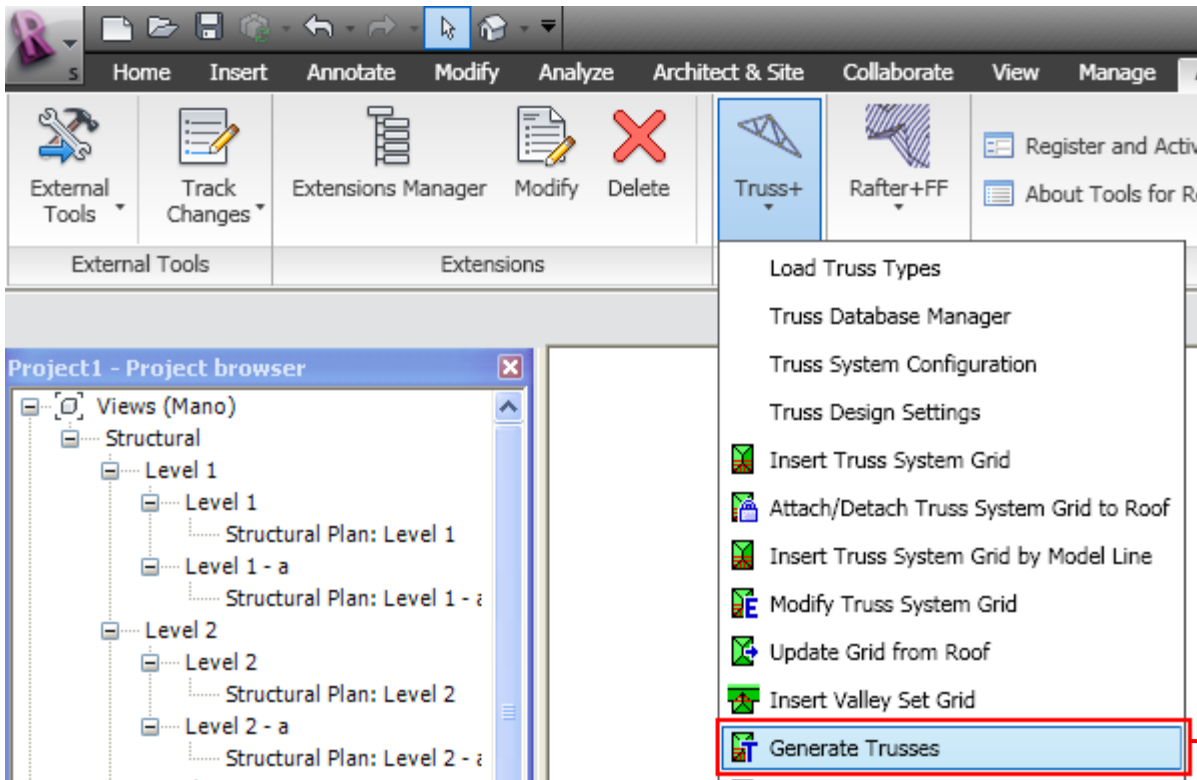


# Truss+ 2010

## Generate Trusses

# Generate Trusses

- Select a grid.
- Choose *Generate Trusses* directly from “Truss+” menu.



# Generate Trusses

- Check which trusses you want to generate and choose types.

**Generate Trusses**

**Truss System**

Truss System: Step Down - HE-HR-JT-SB108-TCH1.5x3.5

Top Chord: 1.500 x 3.500 (thickness x depth)

**Generate**

<input checked="" type="checkbox"/> Common trusses	I_Truss_Common Truss : W1.5_TCH3.5_VW3.5_DW3.5_BCH3.5
<input checked="" type="checkbox"/> Hip (Barn) end trusses	I_Truss_Hip End Truss : W1.5_TCH3.5_VW3.5_DW3.5_BCH3.5
<input checked="" type="checkbox"/> Jack trusses (rafters)	I_Truss_Jack Truss : W1.5_TCH3.5_VW3.5_DW3.5_BCH3.5
<input checked="" type="checkbox"/> Corner girders (rafters)	I_Truss_Corner Girder Truss : W1.5_TCH3.5_VW3.5_DW3.5_BCH3.5
<input type="checkbox"/> Gable end trusses	I_Truss_Common Truss : W1.5_TCH3.5_VW3.5_DW3.5_BCH3.5
<input type="checkbox"/> Valley trusses	I_Truss_Valley Truss : W1.5_TCH3.5_VW3.5_DW3.5_BCH3.5
<input type="checkbox"/> Hip frames	

**Truss options**

Cantilevered

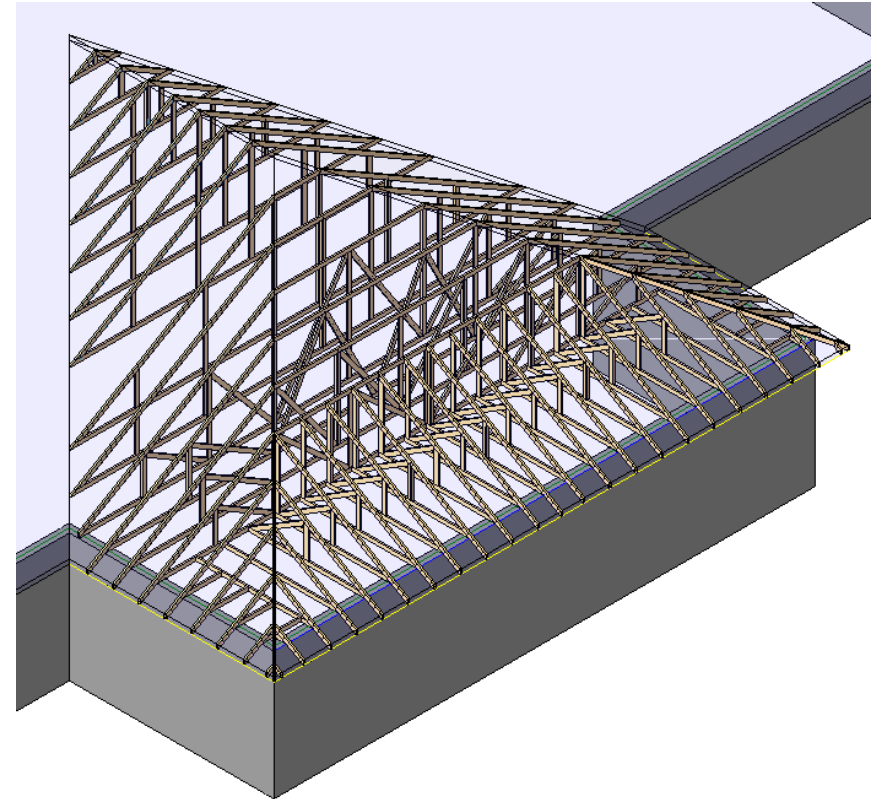
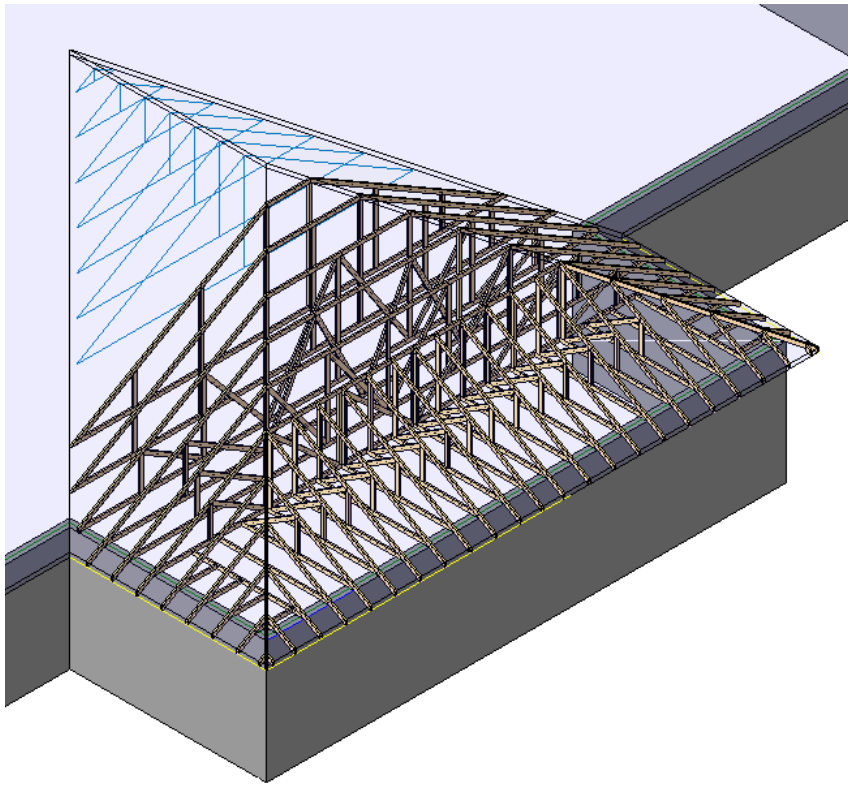
Generate Jack trusses and Corner girders on Left side of Truss System

Generate Jack trusses and Corner girders on Right side of Truss System

OK Cancel

# Generate Trusses

- Repeat it for every grid separately.

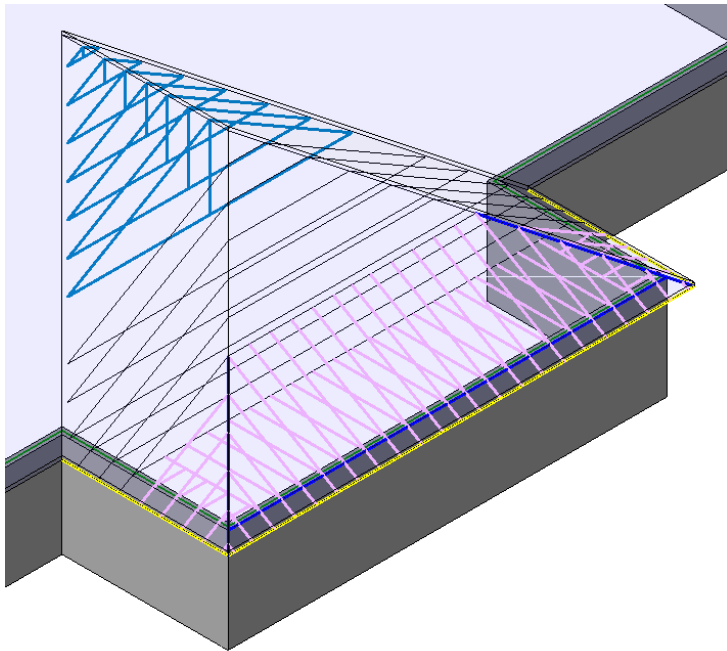


# Generate Trusses

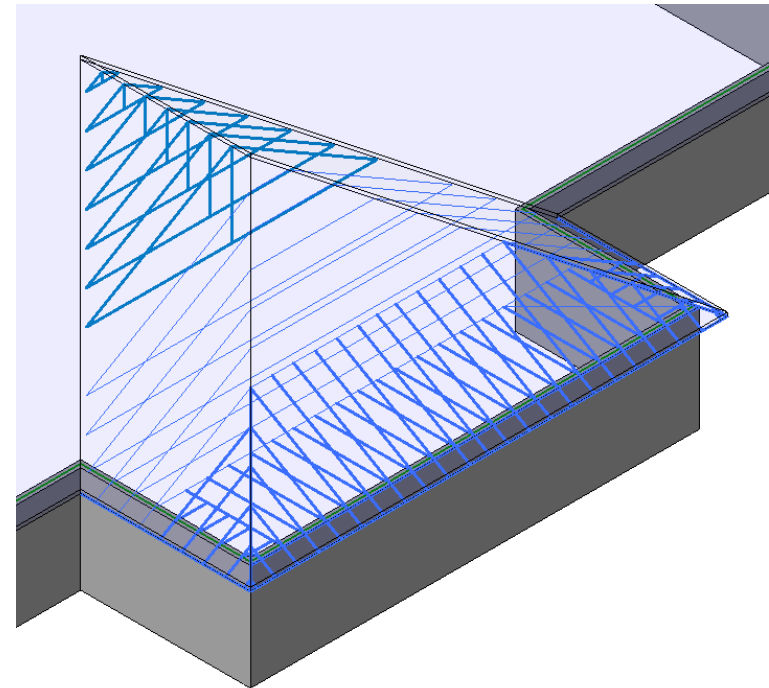
- If an error message 'Select grid' occurs, it means that the user hasn't selected a grid before trying to generate trusses.



Not selected grid



Selected grid



# Increase your productivity !



AGA CAD Ltd.  
Zalgirio 112A, LT-09300 Vilnius,  
Lithuania  
Tel. +370 5 2398111  
Fax +370 5 2398113  
Email [info@aga-cad.lt](mailto:info@aga-cad.lt)  
[info@tools4revit.com](mailto:info@tools4revit.com)  
[www.tools4revit.com](http://www.tools4revit.com)